

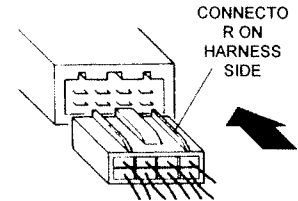
# GT 40 ELECTRICAL

PAGE	FUNCTION
1	POWER SUPPLY, STARTING & CHARGING
2	COOLING SYSTEM & A/C SWITCHING
3	WIPER-WASHER, HORN & BRAKE LIGHT
4	MAIN LIGHTING
5	SPOTLIGHTS, TURN & DOOR SIDELIGHTS
6	METER, BLOWER & A/C COMPRESSOR
7	FUEL PUMPS & ACCESSORY POWER SOCKETS
8	DASH CONNECTORS
9	AMMETER & LIGHTING CONNECTORS
10	BLOWER FAN, WIPER & TURN CONNECTORS
11	HARNESS LAYOUT

WIRE SIZES IN mm2

WIRE COLOURS:

- BK = BLACK
- R = RED
- BW = BROWN
- GN = GREEN
- Y = YELLOW
- W = WHITE
- PU = PURPLE
- PK = PINK
- BU = BLUE
- GY = GREY
- OR = ORANGE



CONNECTORS VIEWED FROM WIRE SIDE. RELEASE CLIP ON TOP, PIN NUMBER ONE(1) TOP LEFT **EXCEPTION: DEUTSCH**

## FUSE/RELAY BOX

FRONT VIEW

RELAY A Radiator Condensor Fan		RELAY B Radiator Condensor Fan		RELAY C Radiator Condensor Fan		RELAY D Radiator Condensor Fan	
E Recirc	F Recirc			H A/C Compr	I Fog Lights	J Fuel Pump	K Fuel Pump
1 - 7.5A		2 - 7.5A		3 - 7.5A		4 - 7.5A	
5 7.5	6 7.5	7 15	8 7.5	9 10	10 15	11 15	12 15
13 7.5	14 15	15 20	16 20				

REAR VIEW

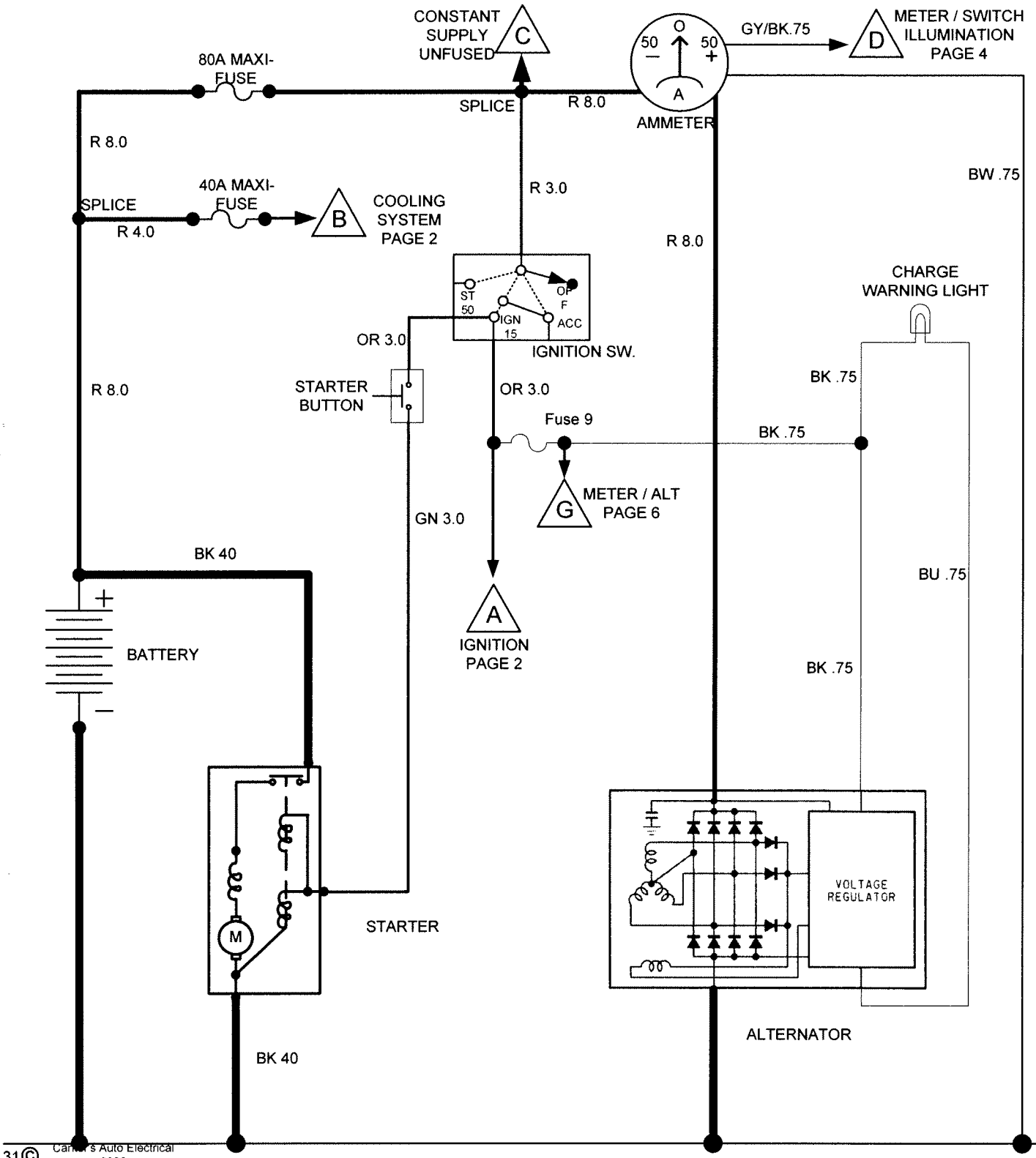
RELAY D Radiator Condensor Fan		RELAY C Radiator Condensor Fan		RELAY B Radiator Condensor Fan		RELAY A Radiator Condensor Fan	
K Fuel Pump	J Fuel Pump	I Fog Lights	H A/C Compr	F Recirc	E Recirc		
4		3		2		1	
16	15	14	13	12	11	10	9
8	7	6	5				

1. L/S LOW BEAM	9. METER and ALTERNATOR
2. R/S LOW BEAM	10. TURN and HORN
3. L/S HIGH BEAM	11. WIPER / WASHER and STOP
4. R/S HIGH BEAM	12. HVAC (BLOWER and A/C SYSTEM)
5. DASH and L/S PARK	13. A/C COMPRESSOR
6. REG. PLATE and R/S PARK	14. CIGAR LIGHTER
7. FOG LIGHTS	15. FUEL PUMP
8. DOOR SIDE LIGHTS	16. FUEL PUMP

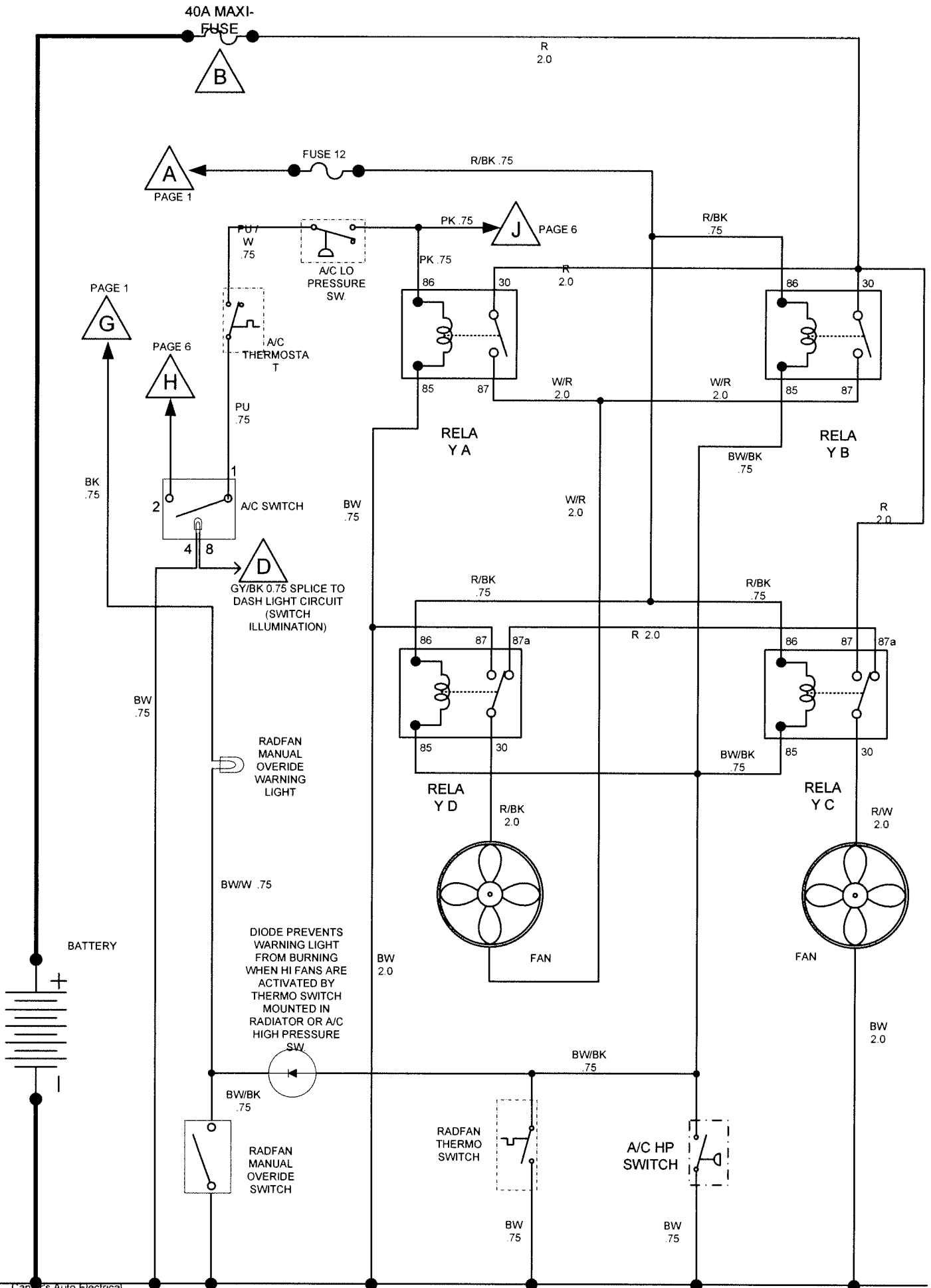
ENGINE WIRING	
8.0 RED	= TO ALTERNATOR +
1.0 BLACK	= TO ALTERNATOR IGNITION
1.0 BLUE	= TO ALTERNATOR WARNING LIGHT
.75 PINK	= OIL PRESSURE W/LIGHT
1.5 PURPLE	= TO A/C COMPRESSOR
3.0 GREEN	= TO STARTER SOLENOID (50)

ECU CONNECTOR PAGE 11	
1.5 RED/GREEN	= UNFUSED IGNITION SUPPLY (COIL+ OR RELAY ACTIVATION)
1.5 BROWN	= GROUND
.75 BLACK/GREEN	= TACHOMETER SIGNAL WIRE
.75 BROWN/GREEN	= GROUND TO ACTIVATE FUEL PUMP RELAYS
.75 BROWN/BLACK	= GROUND TO ACTIVATE RADFAN HI

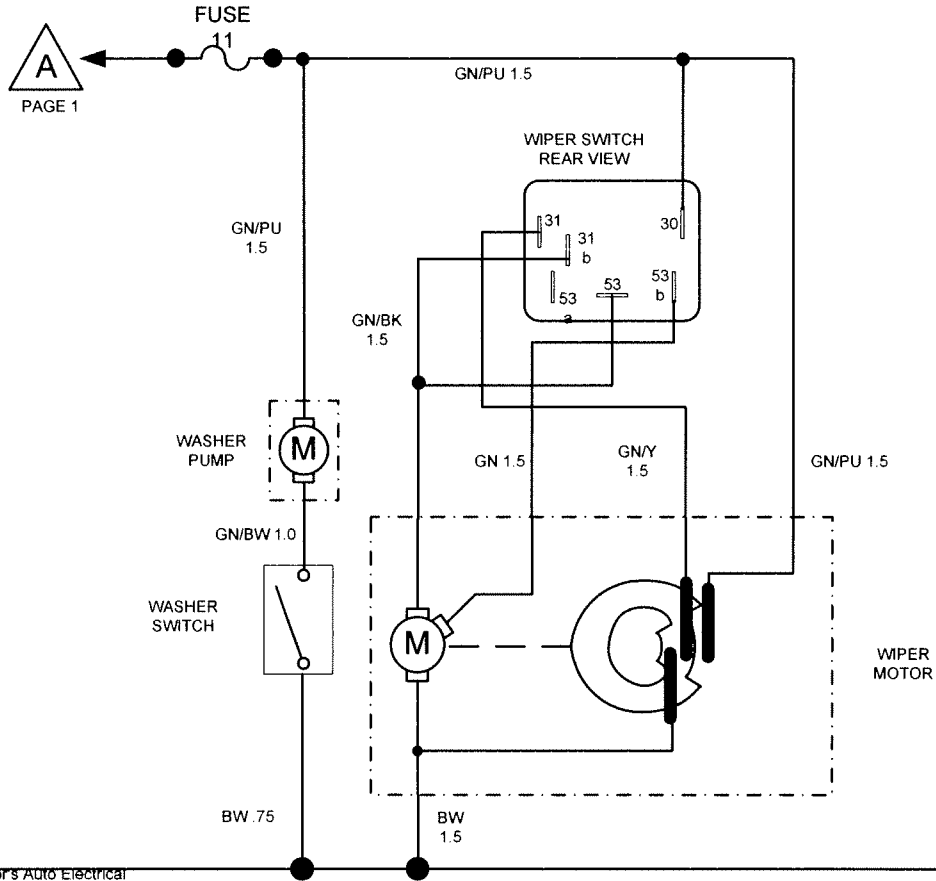
TACHOMETER	
HARNESS	INSTRUMENT
.75 BLACK	TO
GREEN	
.75 BROWN	TO BLACK
.75 GREY/BLACK	TO RED/
WHITE	
.75 BLACK/GREEN	TO WHITE/
BLACK	



# COOLING SYSTEM - A/C SWITCHING

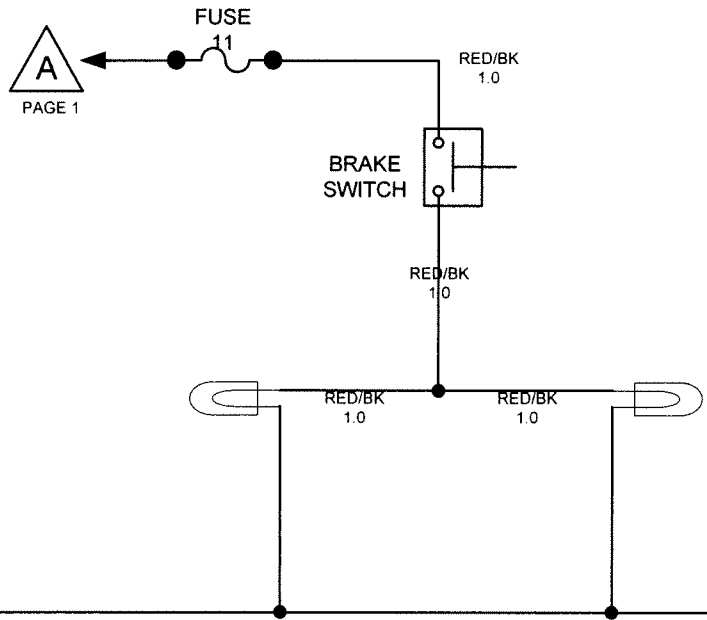
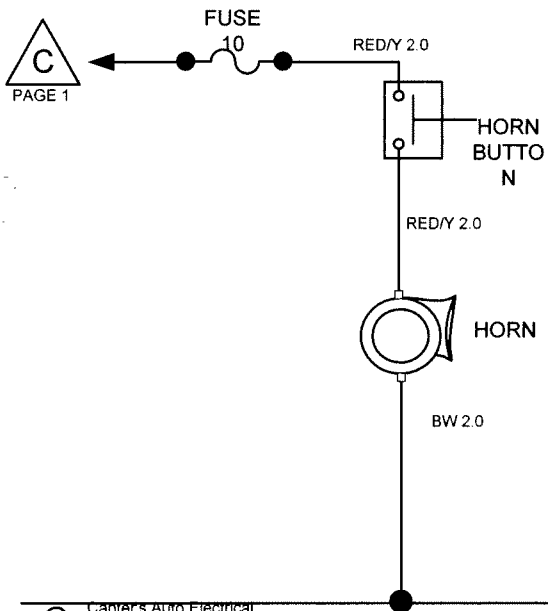


# WIPER/WASHER SYSTEM

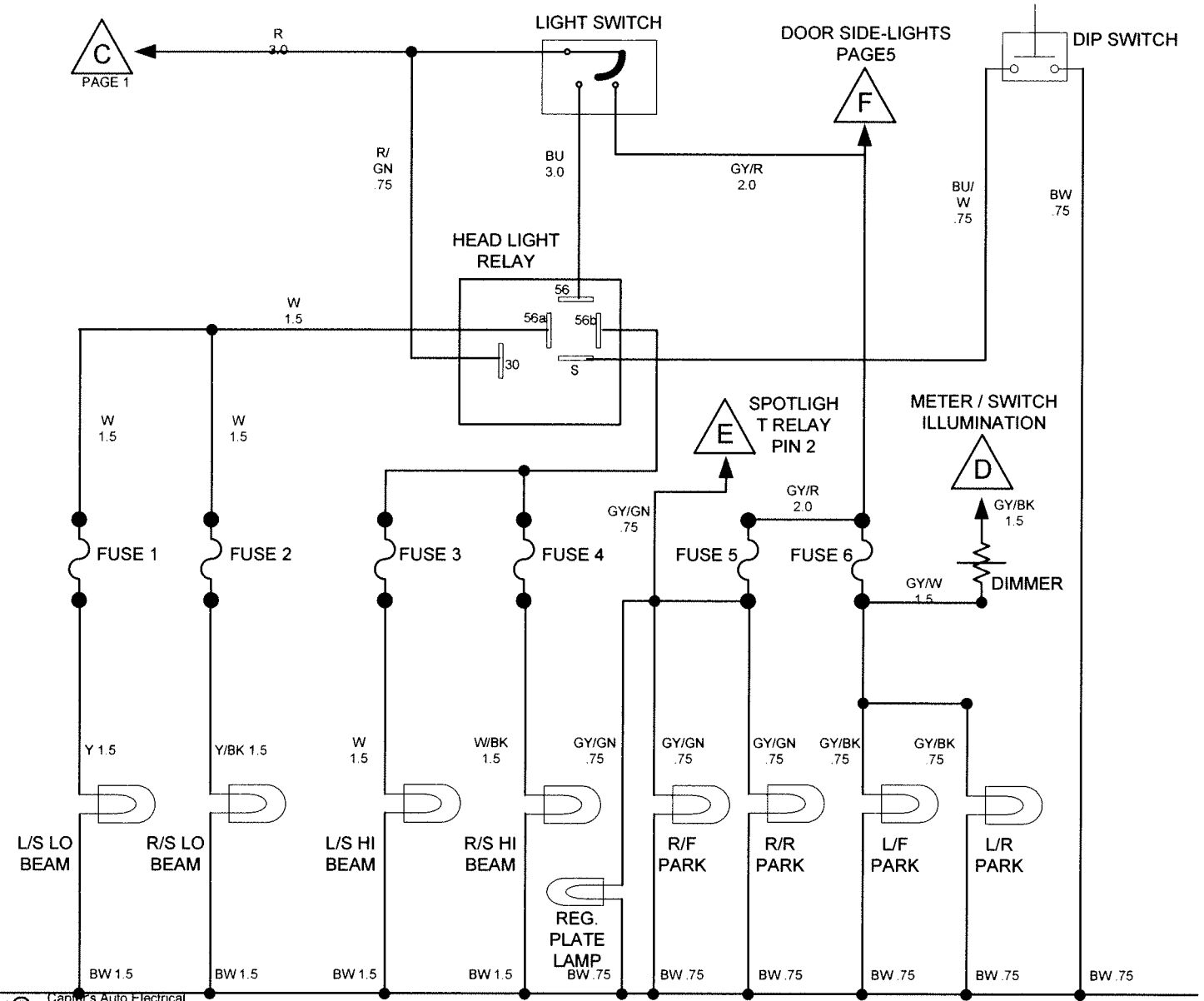


## HORN

## BRAKE LIGHTS

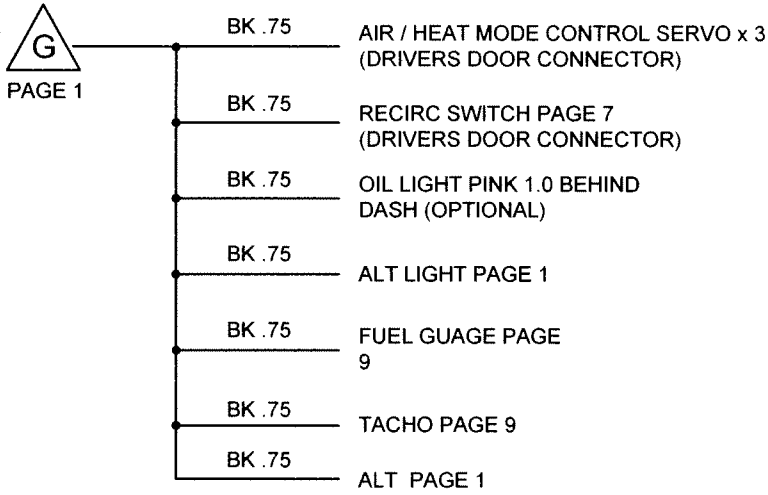


# LIGHTING

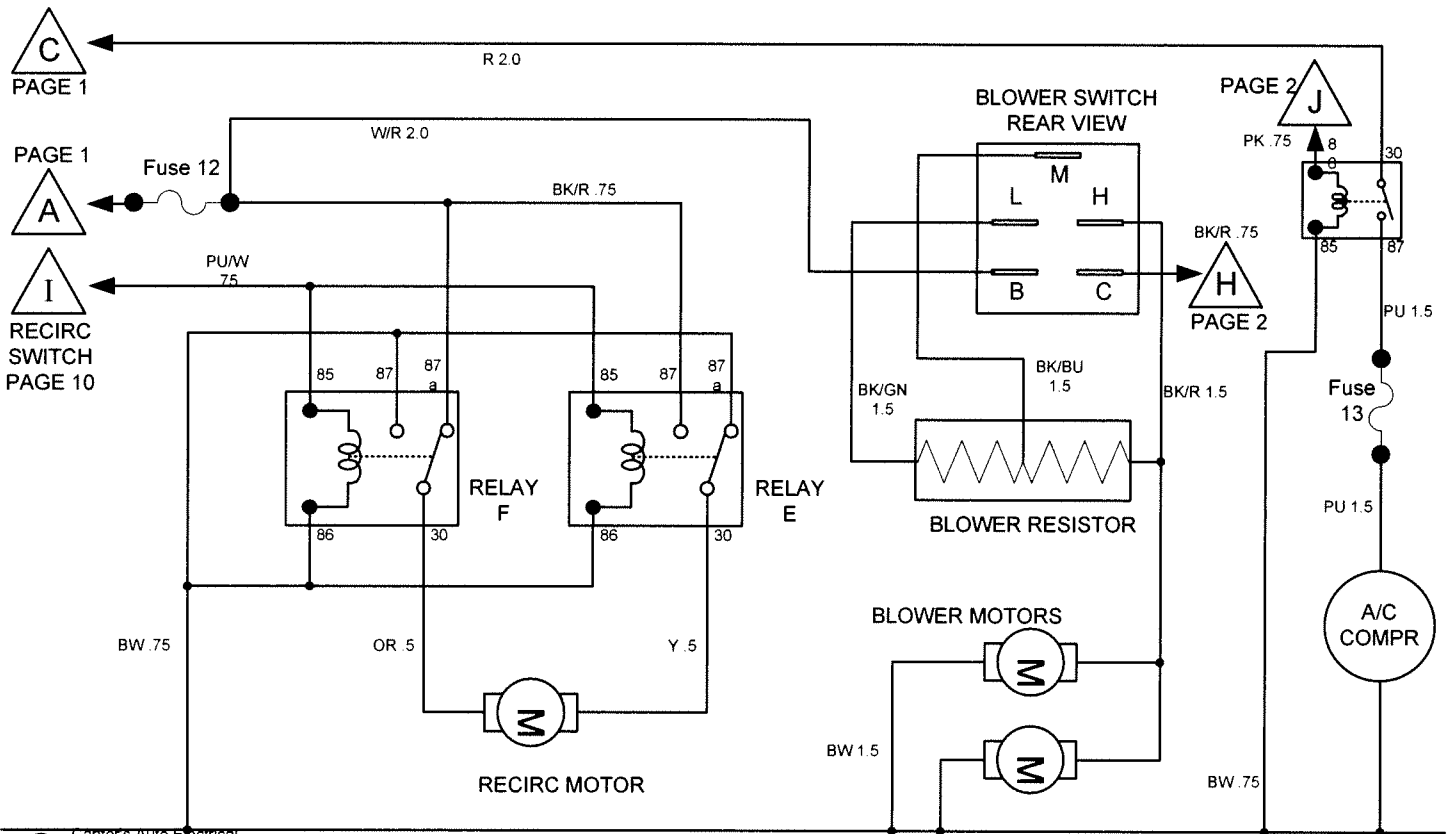




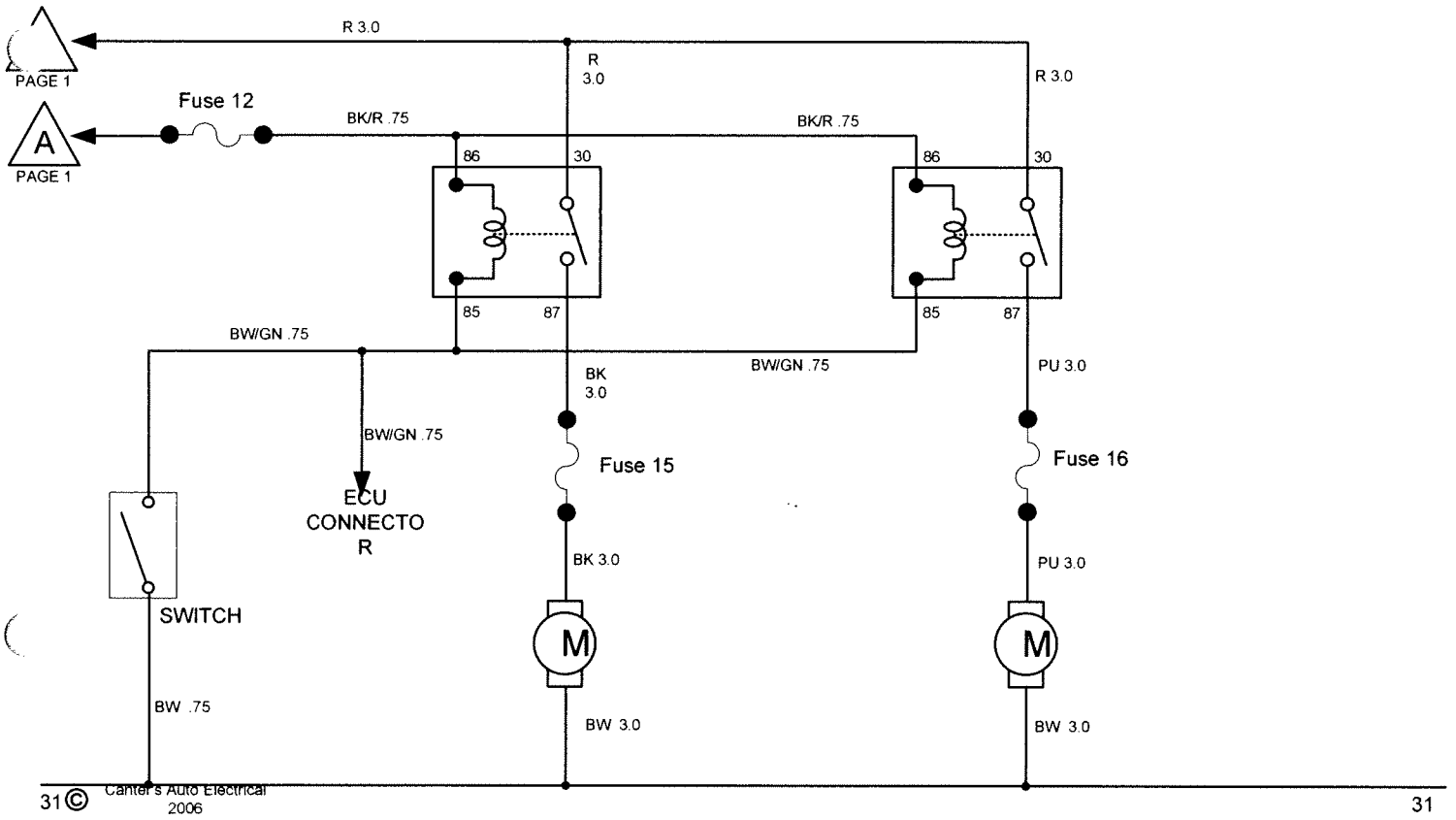
# METER ALTERNATOR SUPPLY



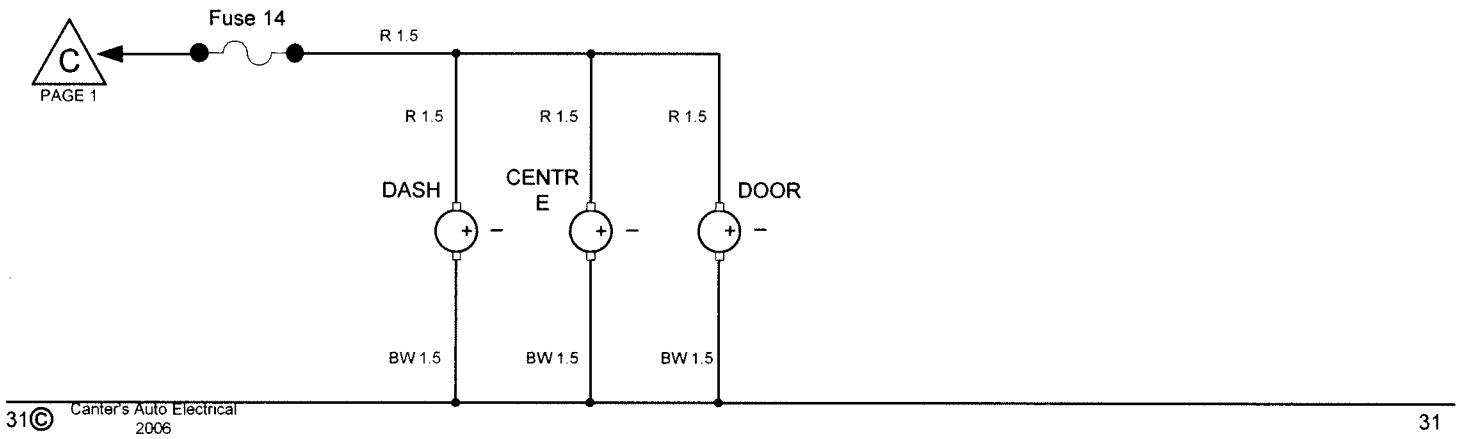
# A/C BLOWER, RECIRC & A/C COMPRESSOR



# FUEL PUMPS

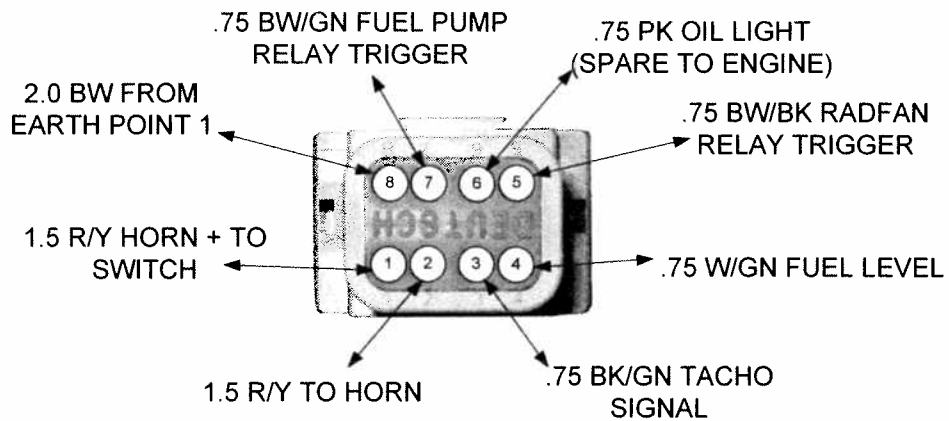


# ACCESSORY POWER SOCKET

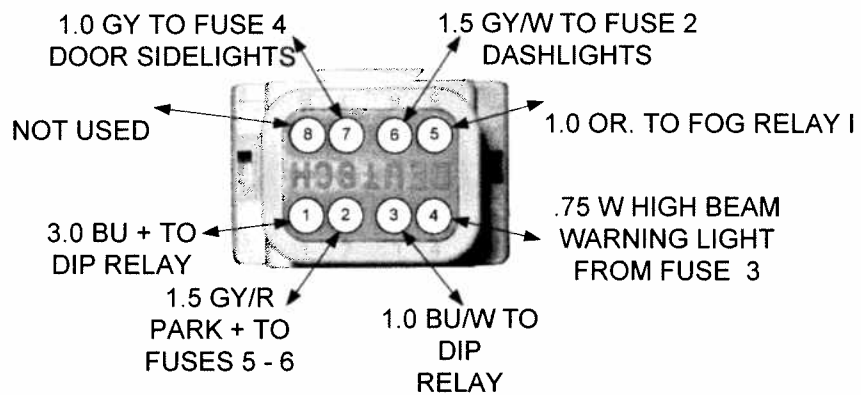




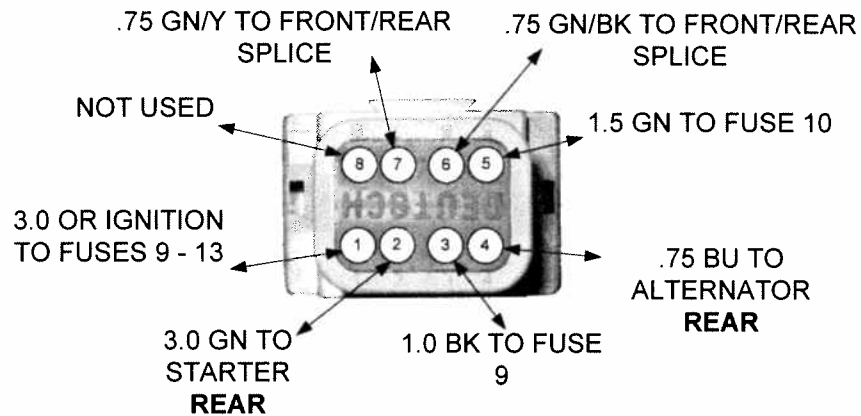
CONNECTOR\_A



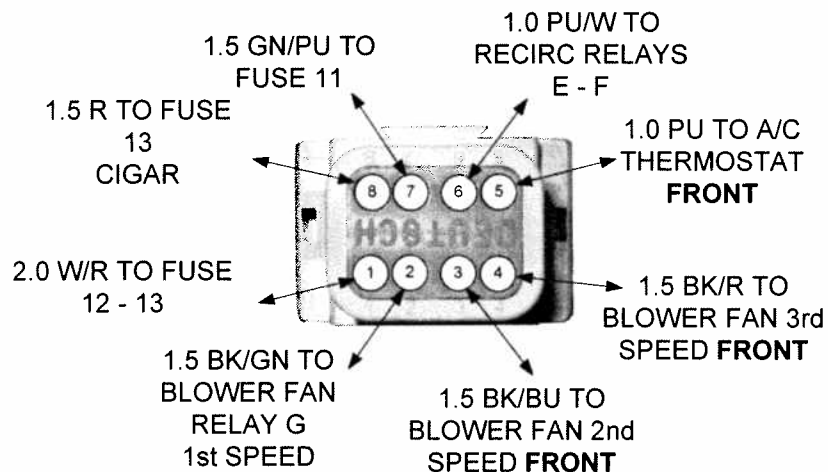
CONNECTOR\_B



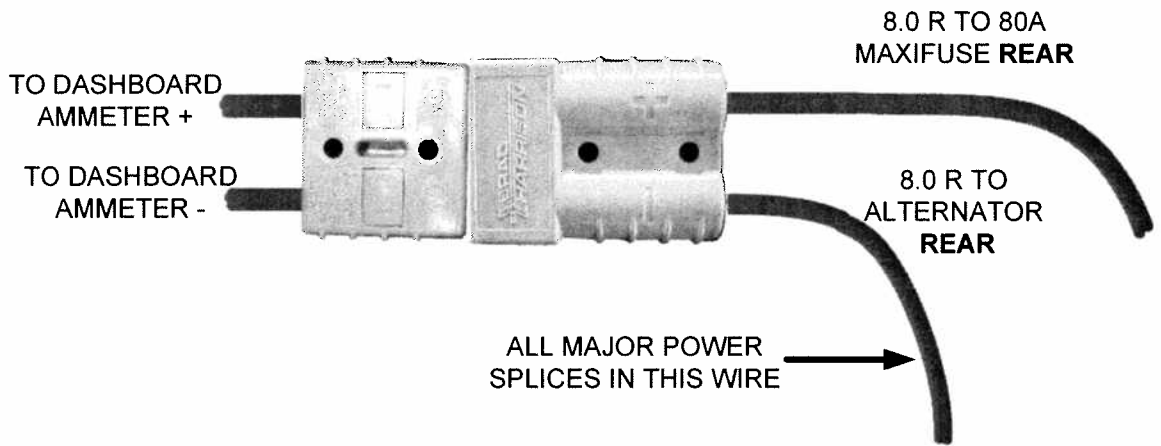
CONNECTOR\_C



CONNECTOR\_D

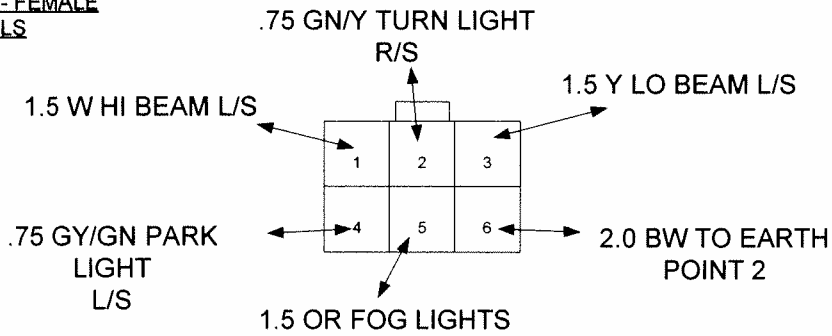


AMMETER CONNECTOR  
PAGE 1

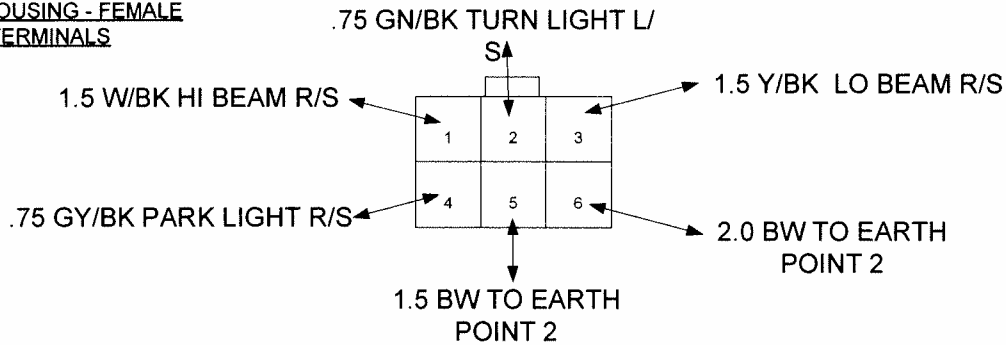


FRONT LIGHTING CONNECTORS STAGGERED

CONNECTOR A  
MALE HOUSING - FEMALE  
TERMINALS

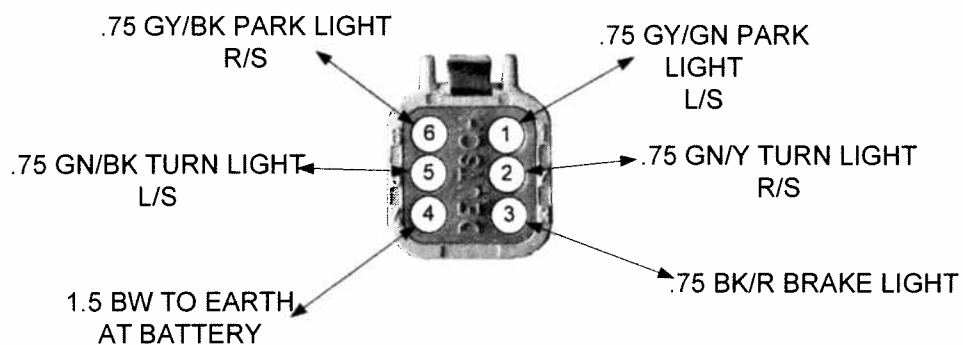


CONNECTOR B  
MALE HOUSING - FEMALE  
TERMINALS



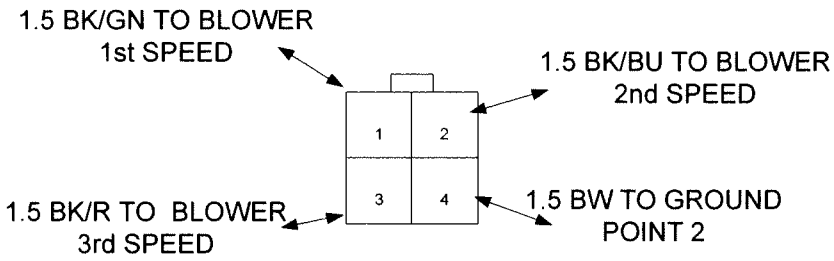
REAR LIGHTING CONNECTOR

DEUTSCH DT06-6S

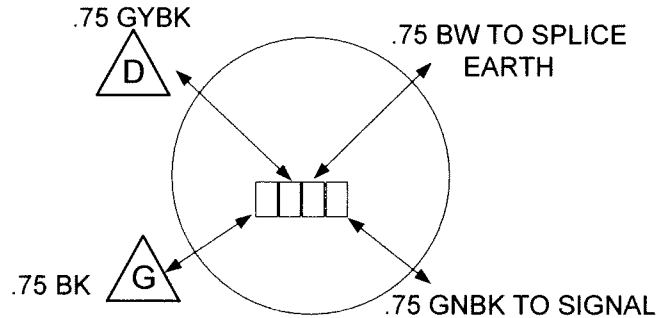


**BLOWER FAN; WIPER MOTOR ;TURN SWITCH; A/C & RECIRC SWITCH TACH & FUEL GUAGE CONNECTORS ON HARNESS**

**BLOWER MOTOR**

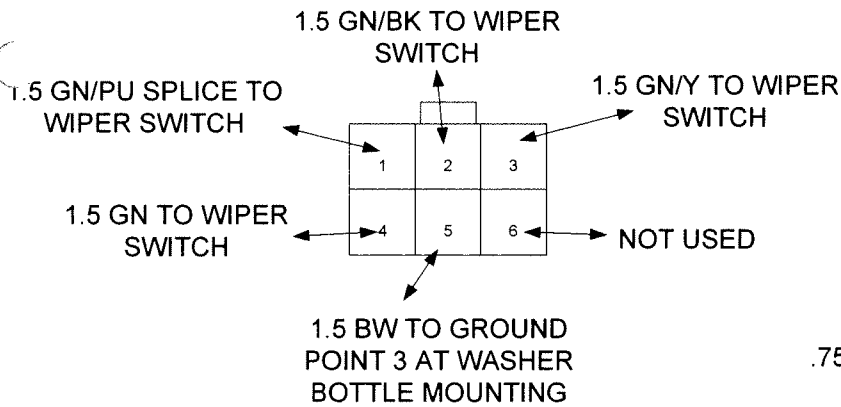


**TACHO**

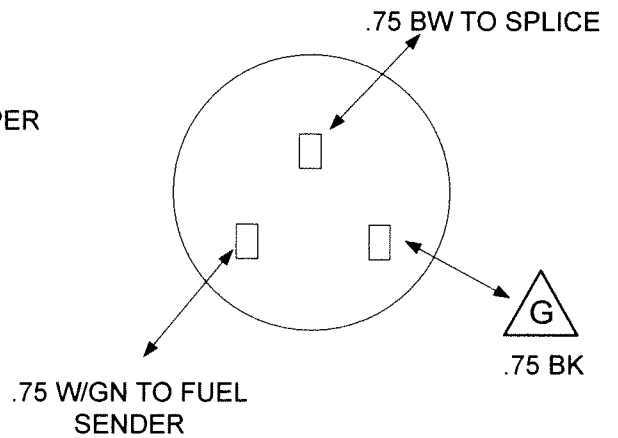


**WIPER MOTOR PAGE 3**

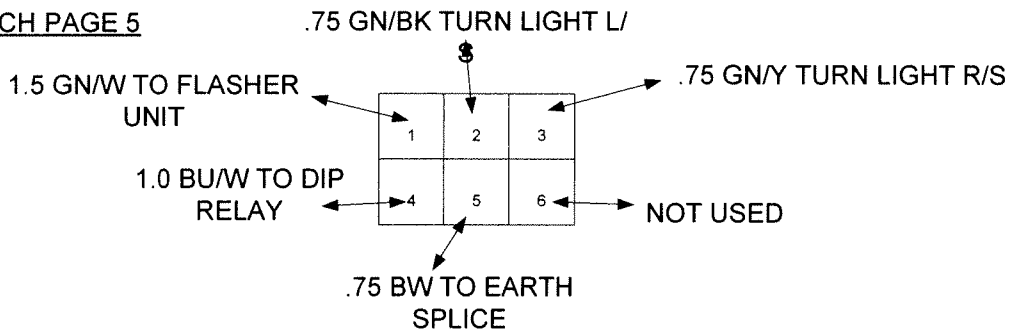
3



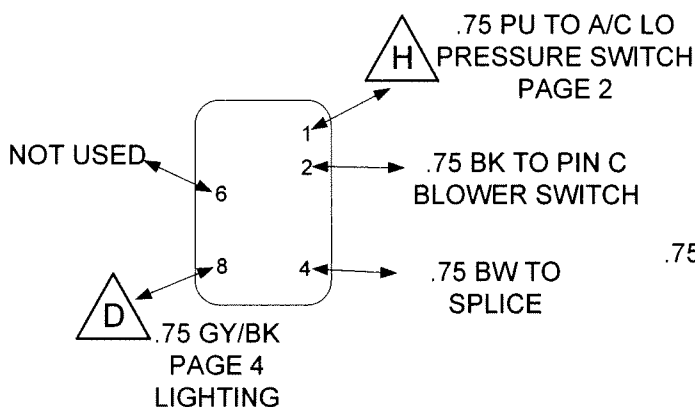
**FUEL GUAGE**



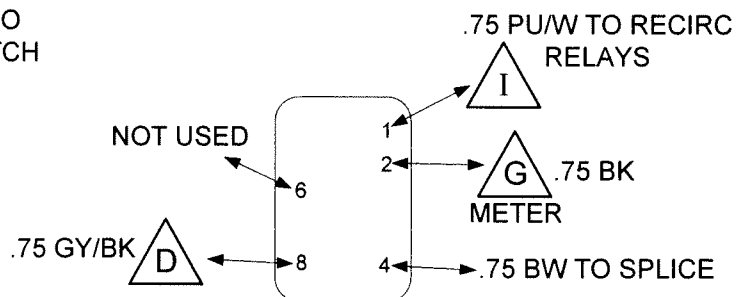
**TURN SWITCH PAGE 5**



**A/C SWITCH PAGE 2**



**RECIRC SWITCH PAGE 6**



# LHD HARNESS LAYOUT

